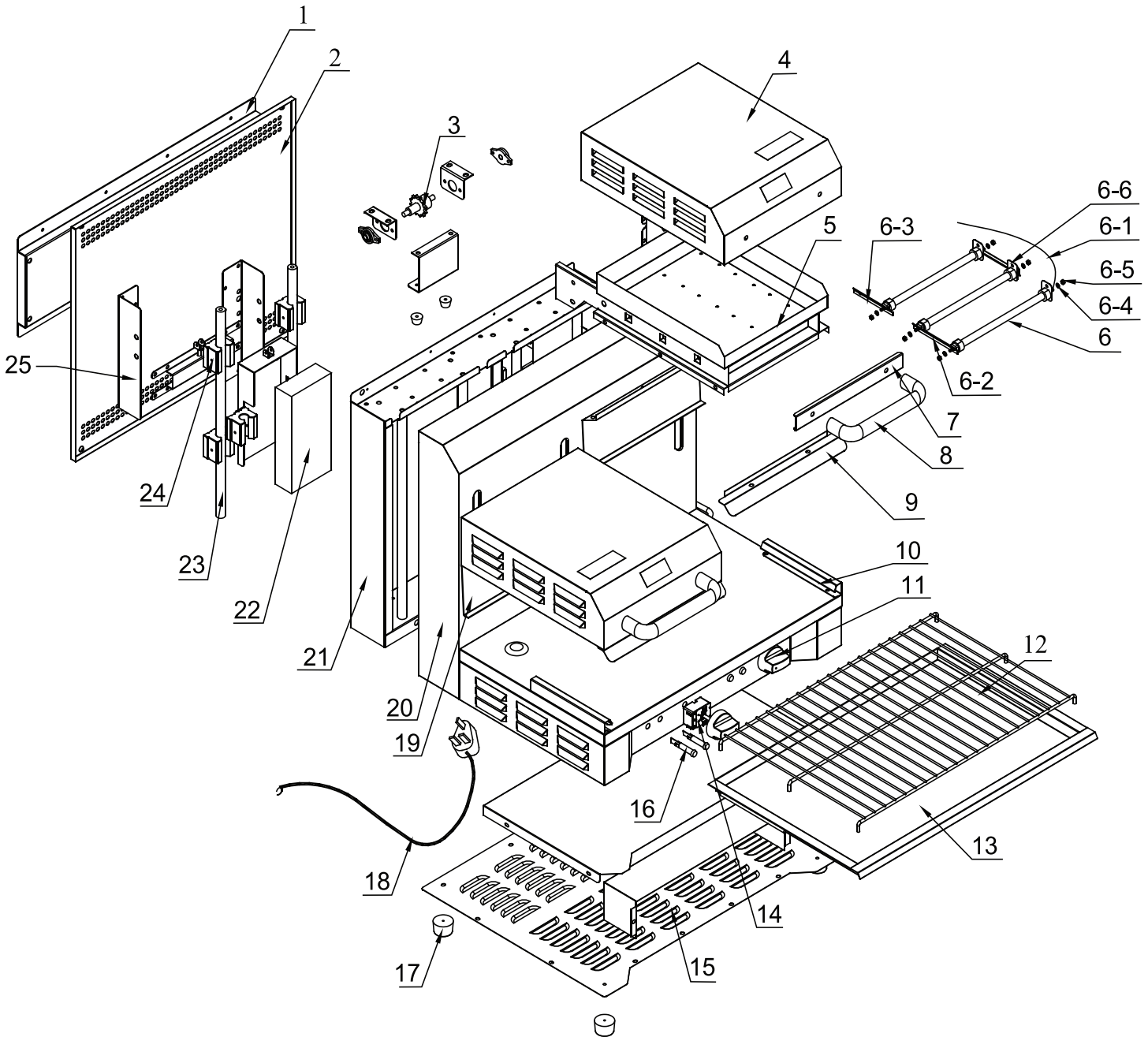


Parts Breakdown

Model CE-CN-1633-S 39582



Parts Breakdown

Model CE-CN-1633-S 39582

Item No.	Description	Position	Item No.	Description	Position	Item No.	Description	Position
77923	Body Fixed for 39582	1	76301	Handle for 39582	8	76313	Plug and Lead for 39582	18
76297	Back Plate for 39582	2	77925	Cover Front for 39582	9	77927	Back Front Plate for 39582	19
76298	Shaft for 39582	3	77926	Tray Guide Rail for 39582	10	76312	Body for 39582	20
76300	Lid for 39582	4	76305	Dial for 39582	11	77928	Inner Body Plate for 39582	21
76302	Inner Body for 39582	5	76307	Grilling for 39582	12	76299	Clump Weight for 39582	22
44033	Element	6	76308	Tray for 39582	13	77929	Type Bearing Track for 39582	23
AI008	Wires Connections for 39582	6-1	76306	Energy Regulator 240V for 39582	14	77930	Type Bearing for 39582	24
AI009	Large Metal Rods for 39582	6-2, 6-4, 6-5	76311	Bottom Cover for 39582	15	77931	Type Bearing Plate for 39582	25
AI010	Small Metal Rods for 39582	6-3, 6-4, 6-5	76310	Indicator Light for 39582	16			
77924	Handle Plate for 39582	7	76309	Foot for 39582	17			